



Community Development and Sustainability Department

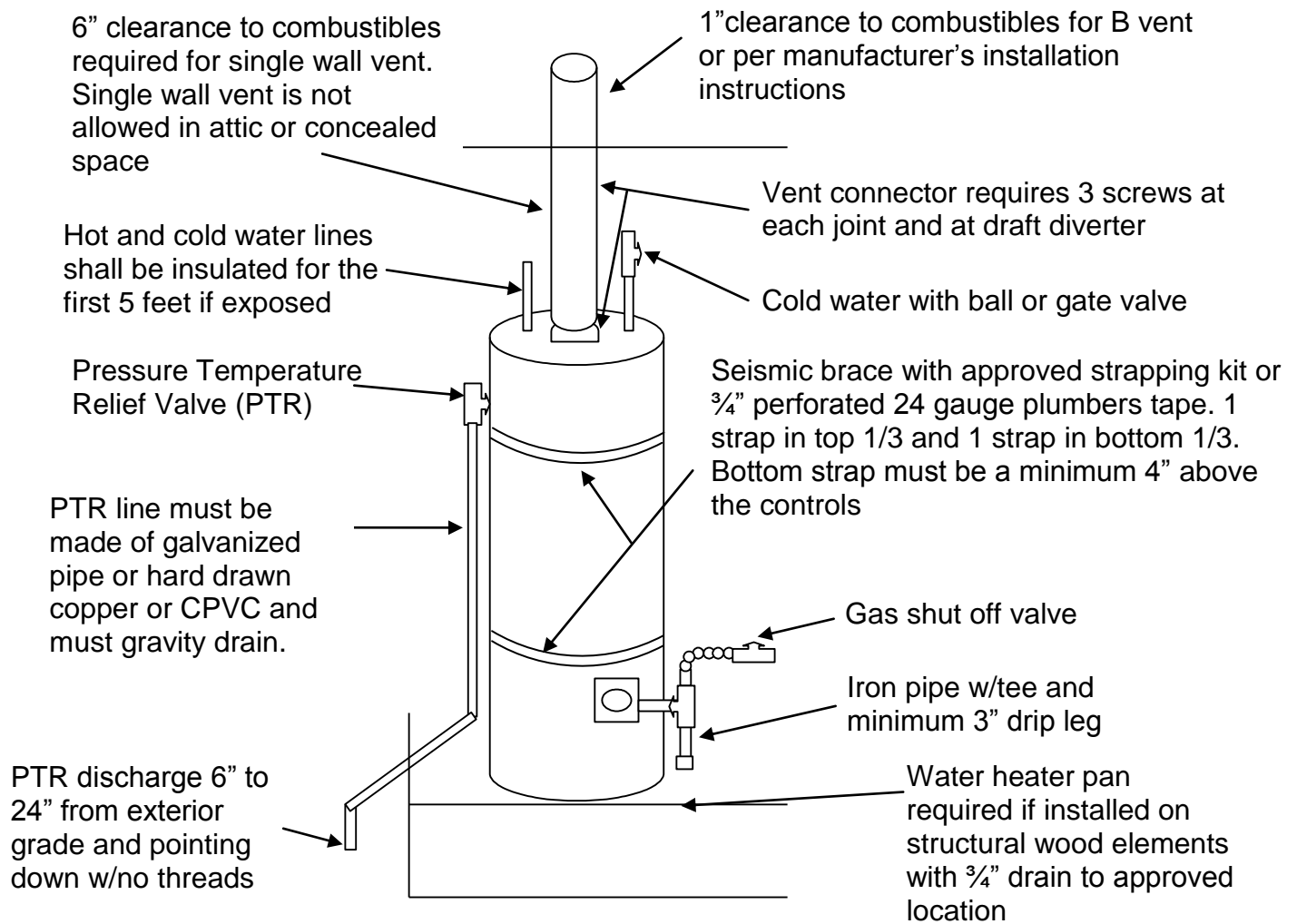
23 Russell Boulevard, Suite 2 Davis, California 95616

Phone: (530)757-5610 Fax: (530)757-5660 TDD: (530)757-5666

Website: www.cityofdavis.org/CDD

Email: pbweb@cityofdavis.org

WATER HEATER INSTALLATION



Water heater installed in a residential garage shall be installed so all burners and ignition devices are located not less than 18" above the floor unless listed as flammable vapor ignition resistance. Such appliances shall be located or protected so it is not subject to physical damage by a moving vehicle.