

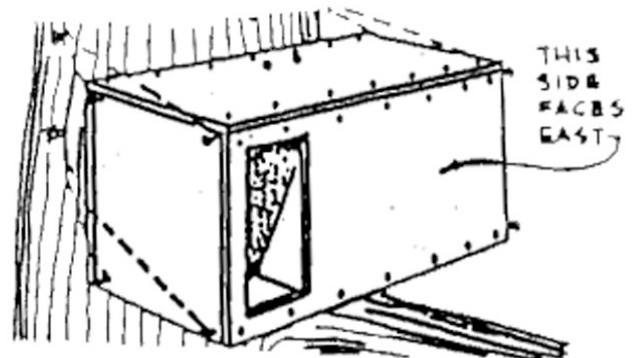
Barn Owl Nestbox Plans:

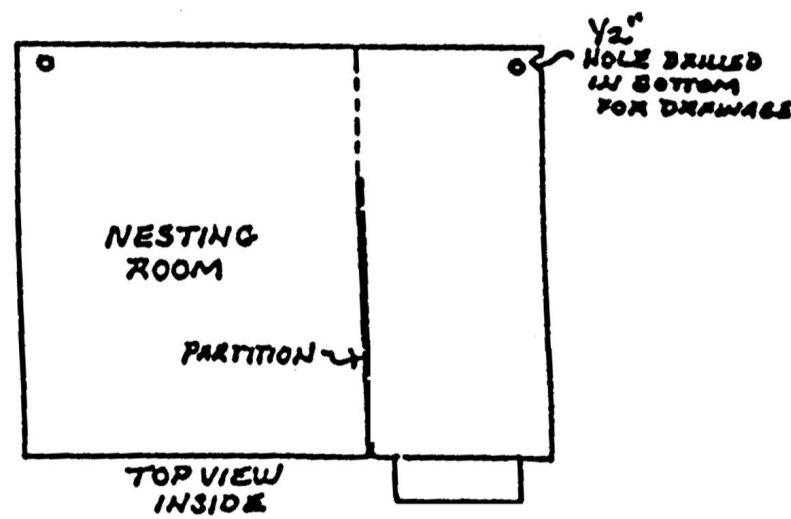
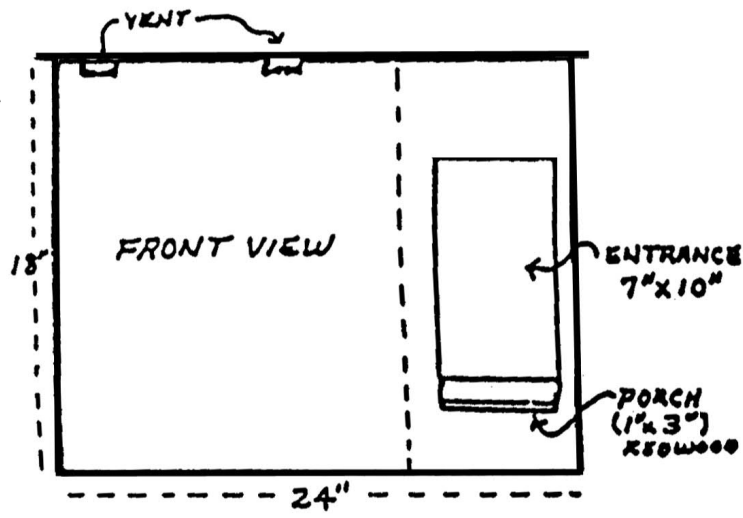
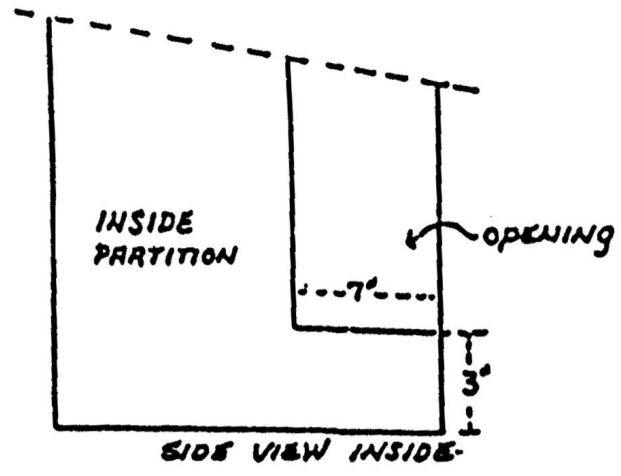
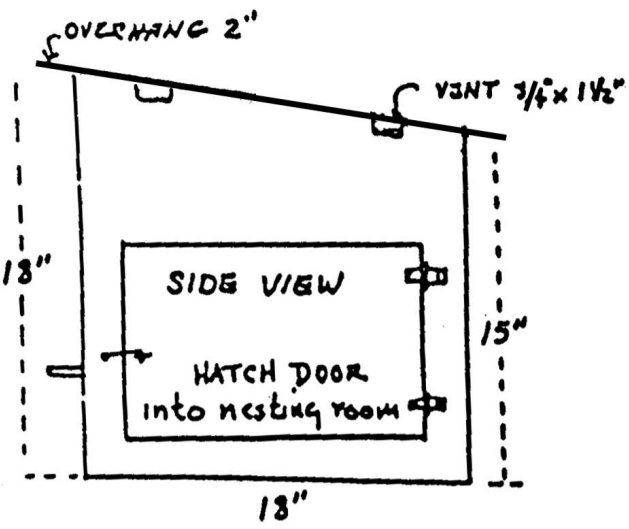
1. Top = 26" x 21" (2" overhang in front and 1" overhang sides and back).
2. Front = 24" x 18" with 7" x 10" cutout entrance (2a).
3. Sides = 18" x 18" x 15" (front slopes down in back).
Drill two 2" air vents at top edge.
- 3a. Hatch door with hinges and latch for cleaning.
4. Bottom = 24" x 18" with 1/4" drain holes.
5. Back = 24" x 15".
6. Inside wall or baffle. a. Position baffle with cutout (6b) at back of box. Wall should allow 8-9" for entrance hallway.

Materials: Exterior siding or exterior plywood, 1 1/2" wood nails, wood glue, wood preservative, small hinges. Redwood ledge 1' x 3" optional.

The Barn Owl nestbox should be placed 20-40' high in a large tree which provides shade during the afternoon sun. The entrance should face away from the prevailing winds and afternoon sun. The box may be bolted to 2x 4" (treated) lumber which is secured to the tree with two 8" lag bolts. Another method of placement is hanging the box with strong cable wire (see drawing).

Nestbox should be cleaned out in the fall of each year.





- CONSTRUCTION MATERIALS:**
- EXTERIOR SIDING 1/2"
 - REDWOOD 1"x3"
 - 1 1/2" BOX NAILS
 - WOOD GLUE
 - HINGES OR 2" WIDE INSULATION STRIP
 - WOOD PRESERVATIVE

PLANS FOR BARN OWL NESTBOX
 UCD RAPTOR CENTER 1980
 adapted from LENTON & TROLLOPE.