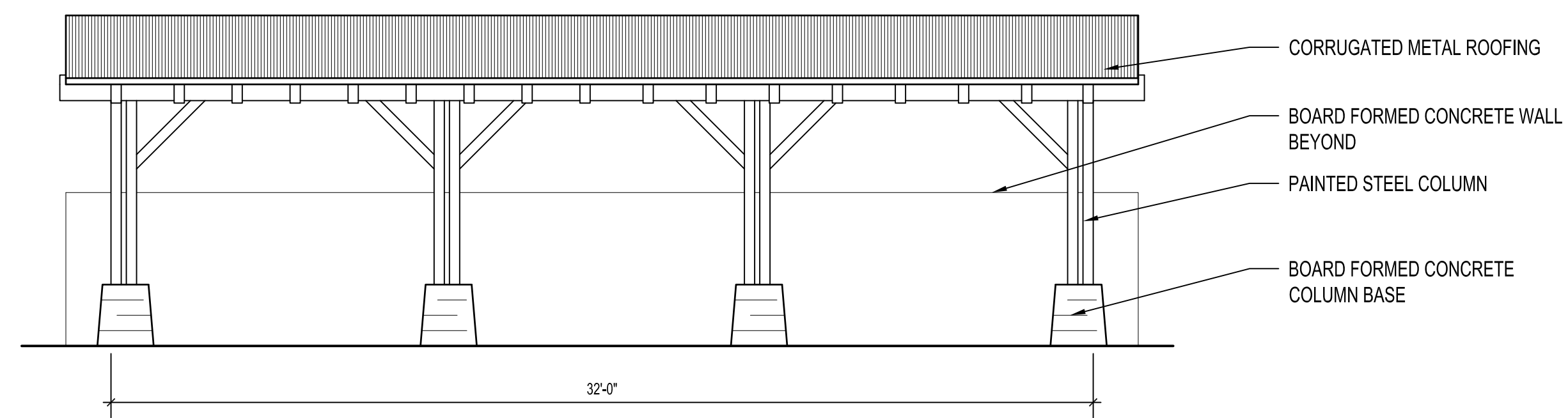
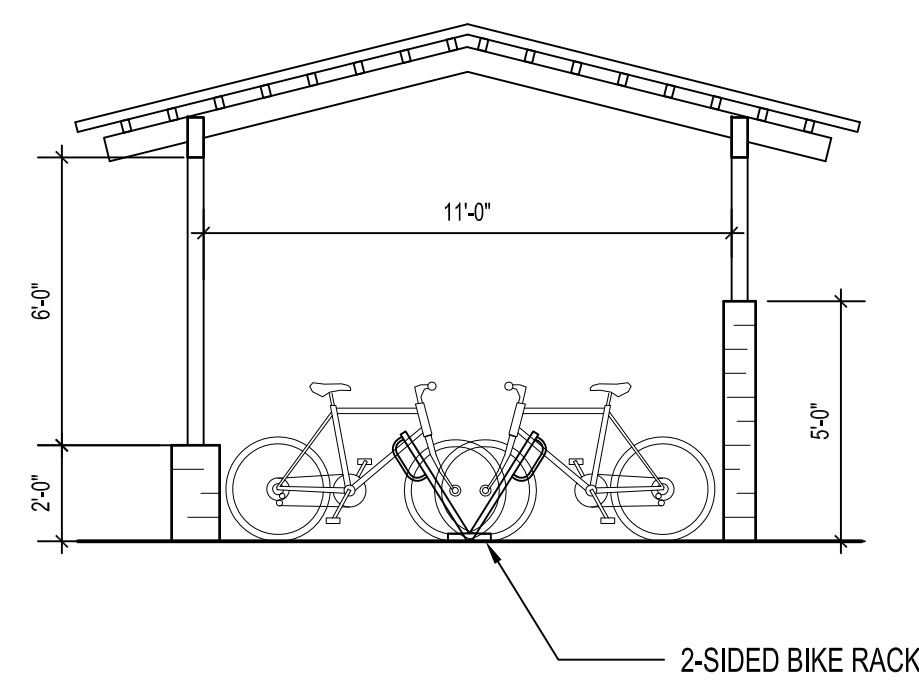
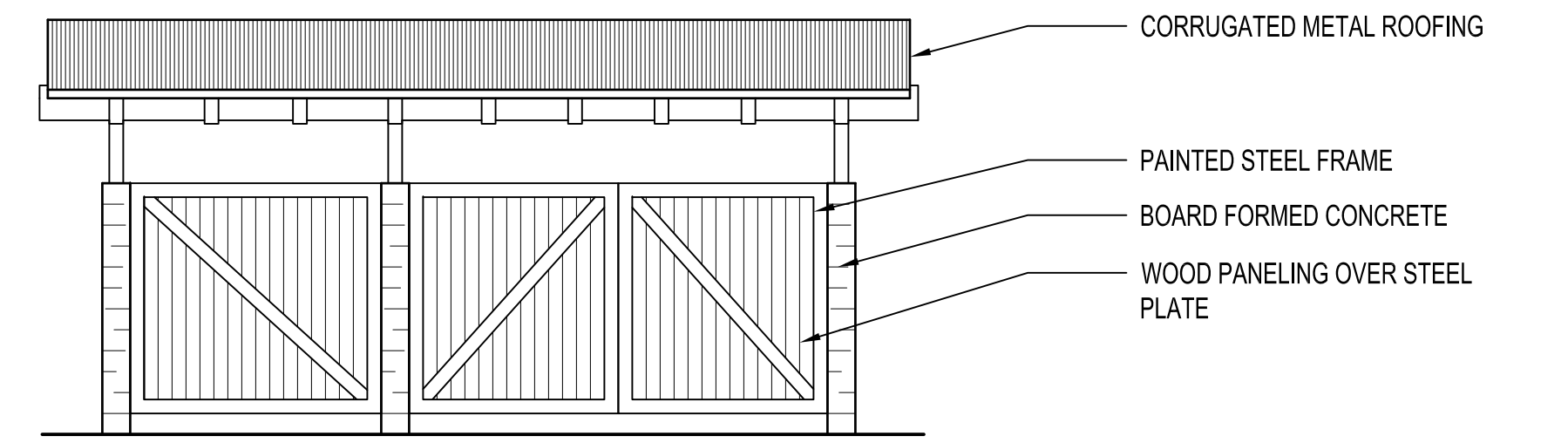
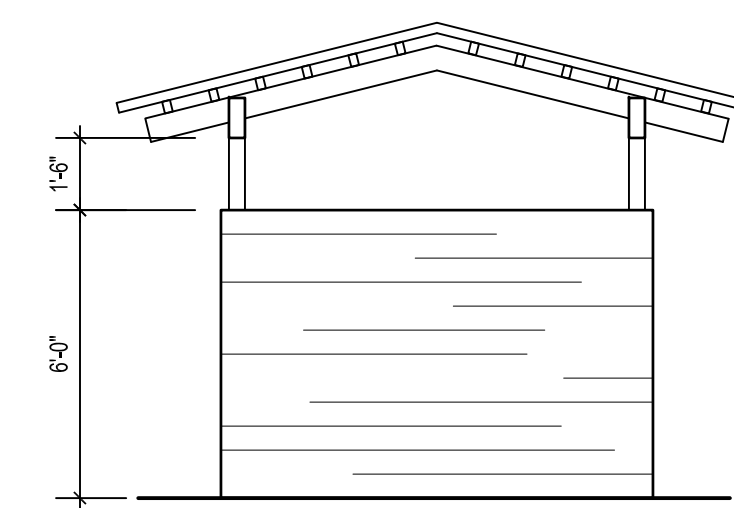


1 SITE DETAIL - MONUMENT SIGN  
1/4"=1'-0"



2 SITE DETAIL - LONG TERM BIKE STORAGE  
1/4"=1'-0"



3 SITE DETAIL - TRASH ENCLOSURE  
1/4"=1'-0"

# THE CANNERY - COMMERCIAL DISTRICT

DAVIS, CA.  
MARCH 4, 2016