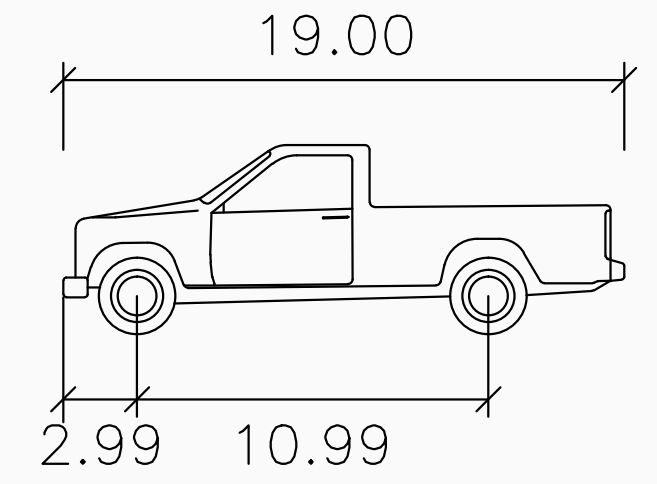
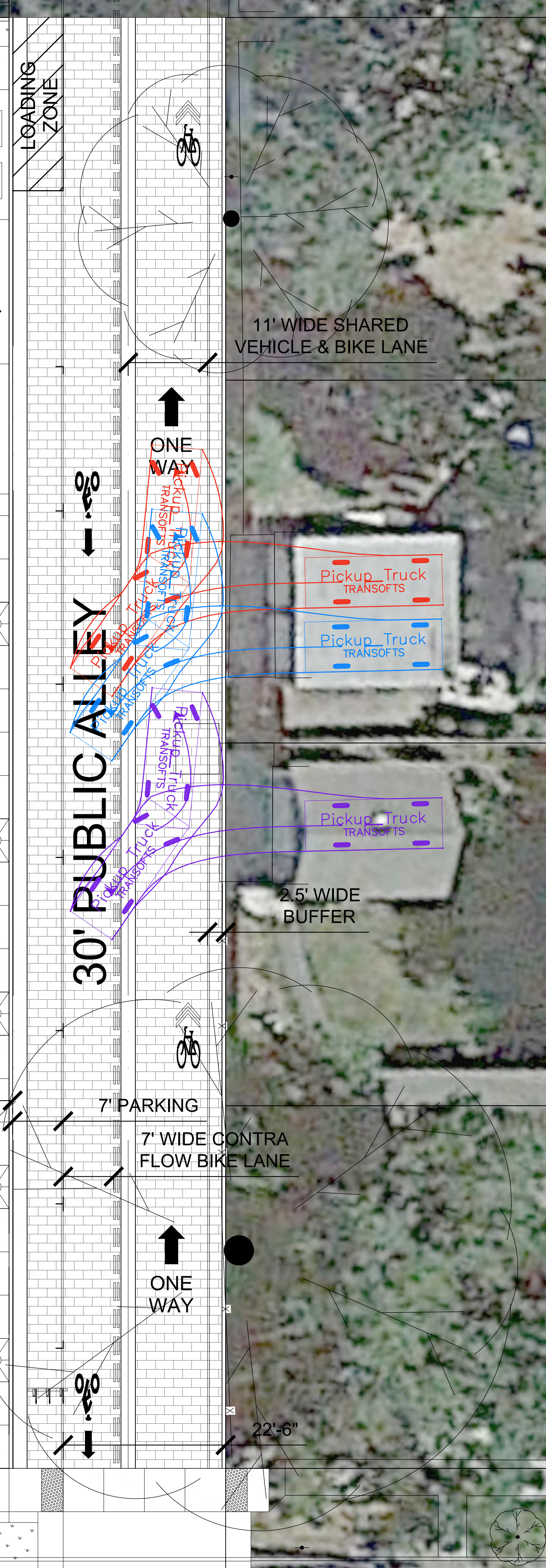
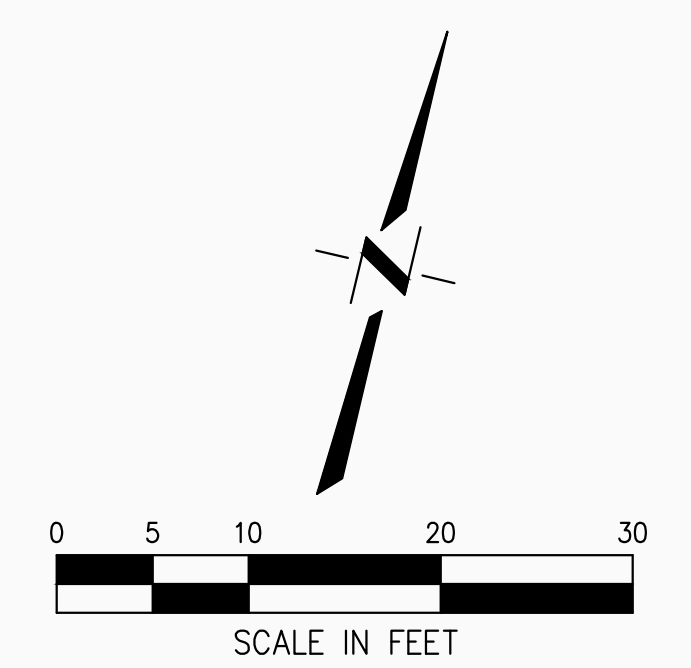


RAILROAD



Pickup Truck feet
 Width : 6.99
 Track : 6.00
 Lock to Lock Time : 6.0
 Steering Angle : 31.6



NO.	DATE	REVISIONS	BY	APPD.	DESIGNED BY	SCALE
					LR	1" = 10'
					LR	
					SG	

CEWEST.COM
 Project Planning = Civil Engineering = Landscape Architecture
 Sacramento Office
 2120 20th Street, Suite Three
 Sacramento, CA 95818
 (916) 455-2026
 Davis Office
 2840 Spafford Street, Suite 200
 Davis, CA 95618
 (530) 758-2026

901 THIRD STREET MIXED USE
 ALLEY DRIVEWAY TURNING EXHIBIT
 CALIFORNIA
 DAVIS
 SHEET 1 OF 1
 DATE: 08/17/2017
 JOB NO: 1444.03

S:\Projects\1400\1444 - Paradise Center\AutoCAD\1444-03 ENTITLEMENT PROCESSING\1444-03 EXHIBITS\ALLEY DRIVEWAY TURN EXHIBIT\1444-03-TURN.dwg - 01 8/17/2017 - 11:33AM Plotted by: Lena